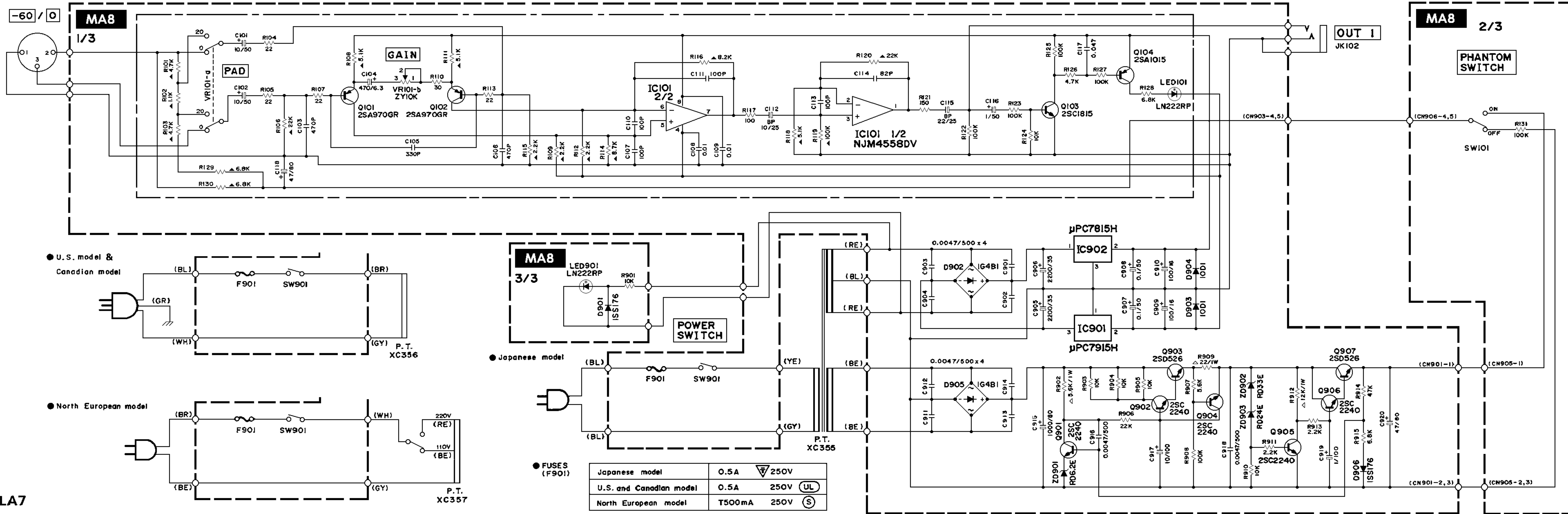
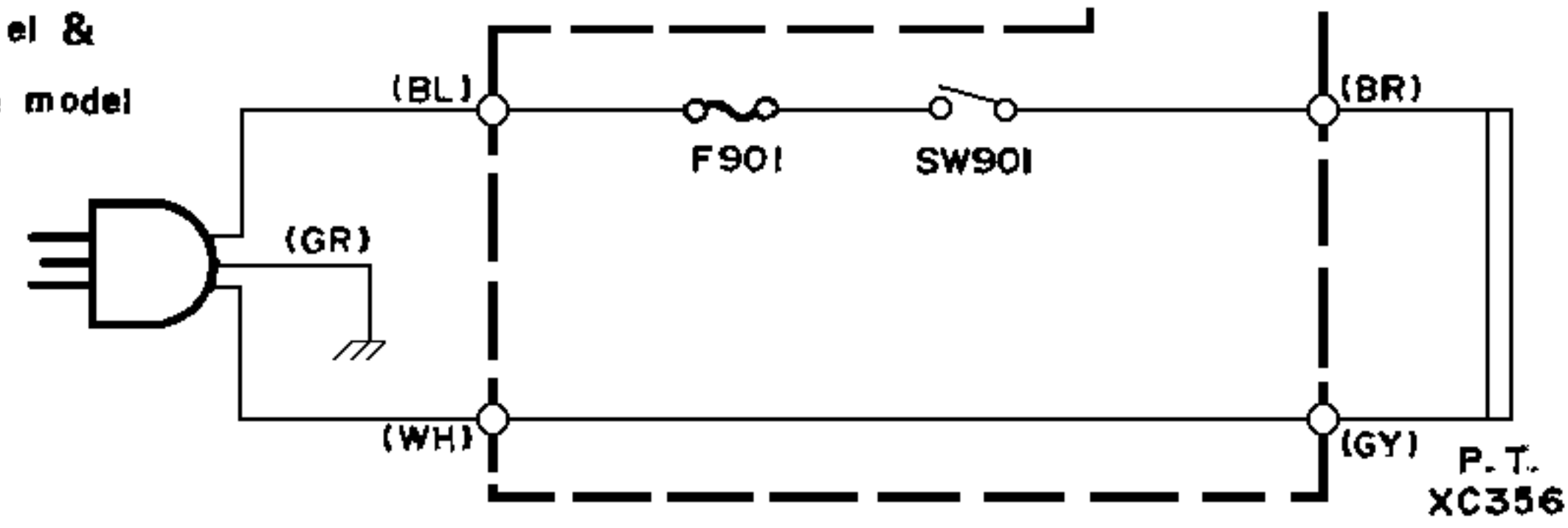


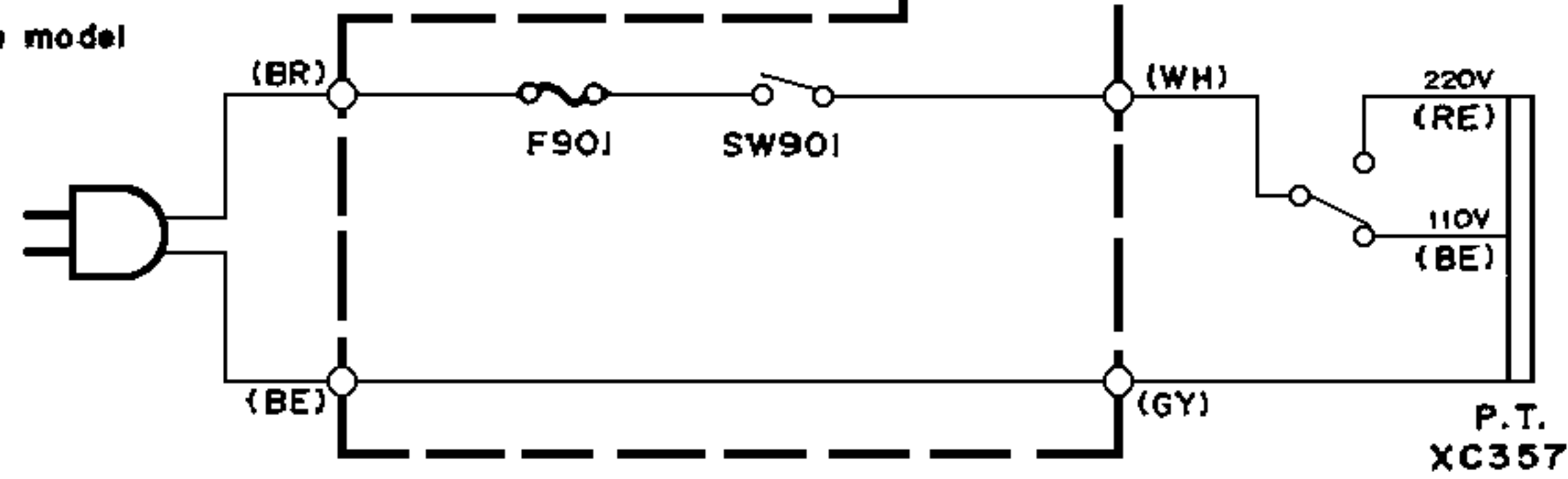
# MLA7 CIRCUIT DIAGRAM



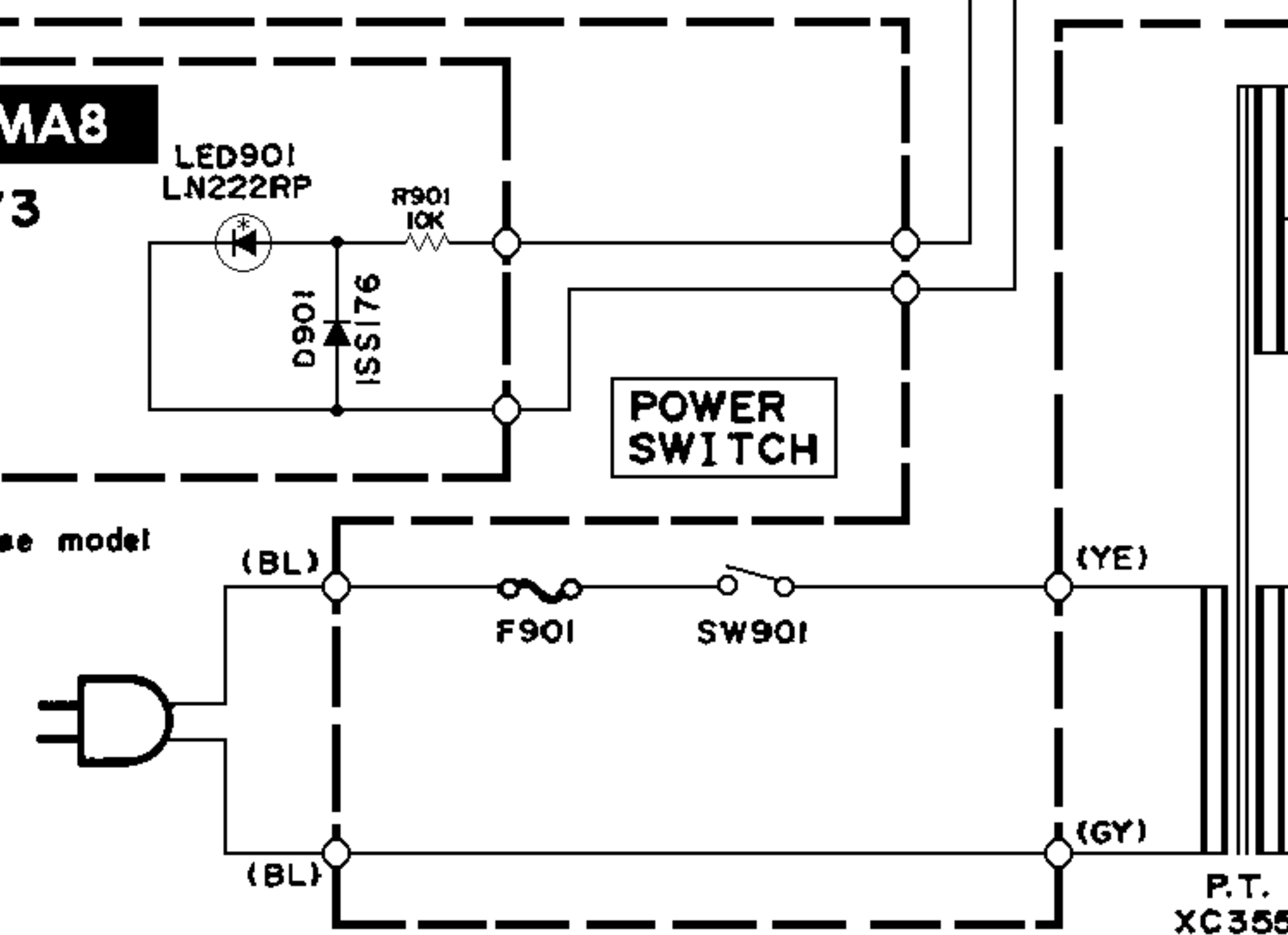
● U.S. model & Canadian model



● North European model



● Japanese model



● FUSES (F901)

Japanese model	0.5A	250V
U.S. and Canadian model	0.5A	250V
North European model	T500mA	250V

## Notes

- IC X01 : NJM4558DV (IG001390) OP AMP.
- IC 901 : UPC7915H (IG077500) -15V 1A
- IC 902 : UPC7815H (IG063900) 15V 1A
- Q X01, X02 : 2SA970 GR
- Q X03 : 2SC1815 O, Y
- Q X04 : 2SA1015 O, Y
- Q 901, 902, 904 ~ 906 : 2SC2240 GR, BL
- Q 903, 907 : 2SD526 R, O
- D 901, 906 : 1SS176
- D 902, 905 : 1G4B1 1.5/400
- D 903, 904 : 1OD1
- ZD 901 : RD6.2E2 6.2V
- ZD 902 : RD33E2 33.0V
- ZD 903 : RD24E2 24.0V
- LED X01, 901 : LN222RP RE
- marked  $\Delta$  : Metal Film Resistor
- marked  $\triangle$  : Metal Oxide Resistor

\* X=1, 2, 3, 4, 5, 6, 7, 8